

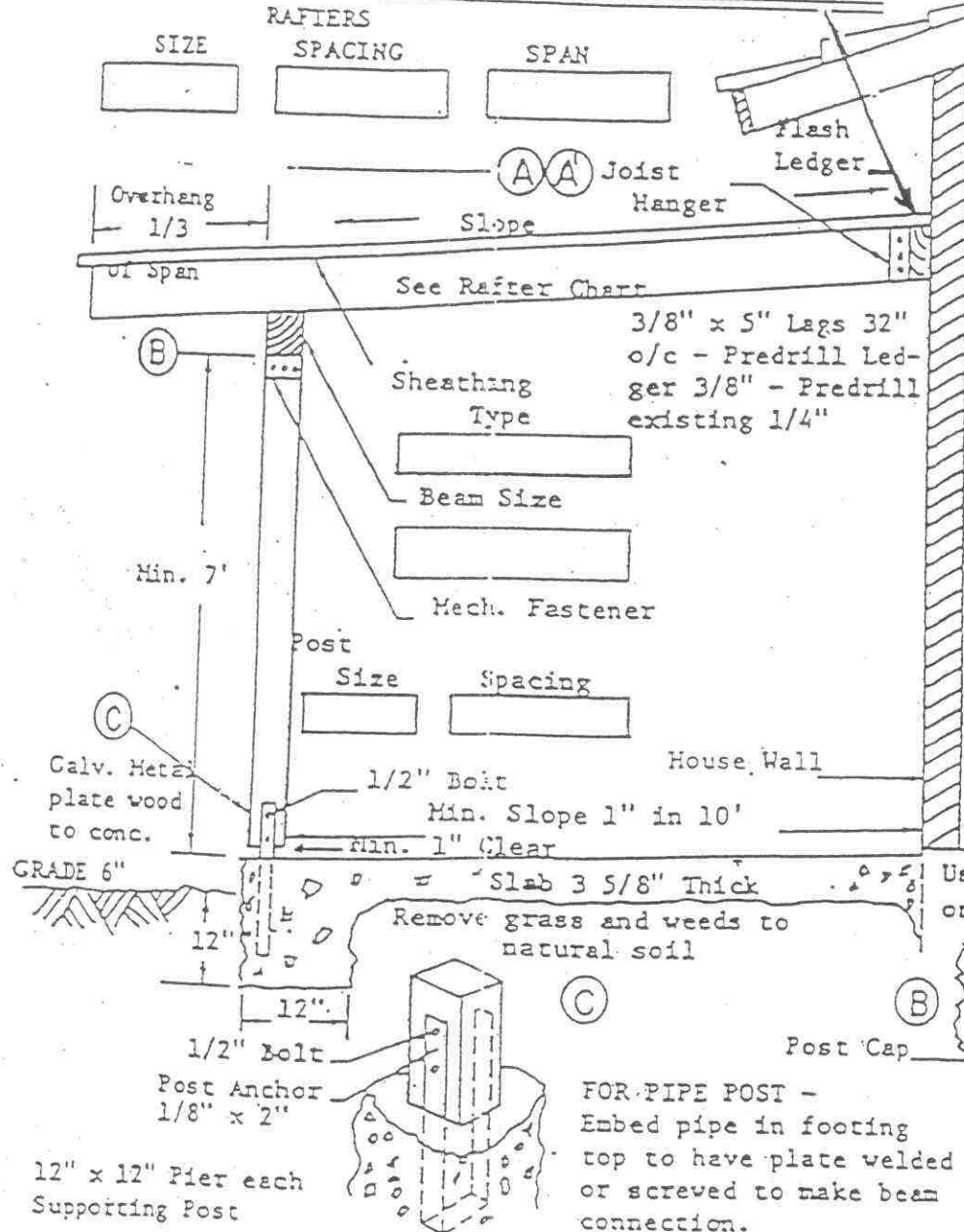
BUILDING DIVISION

NOTICE: LEDGER BOARD CANNOT BE ATTACHED TO RAFTER TAILS

RAFTER CHART

Open egg crate, aluminum, or plastic roof covering

For solid sheathing shingles or built up roof



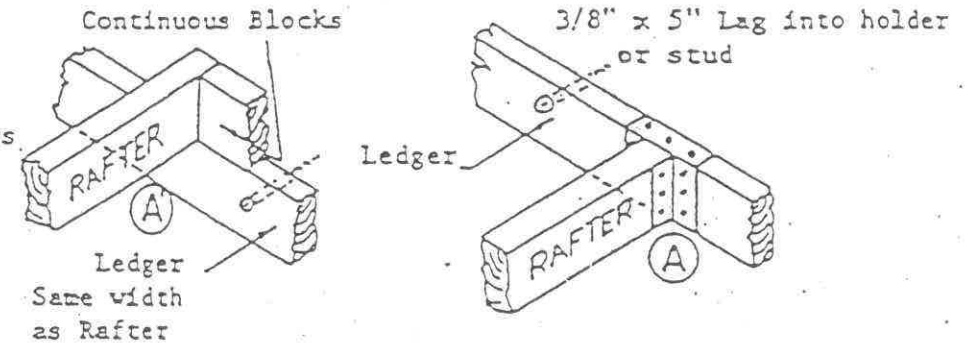
| Construction Grade | | | Construction Grade | | |
|--------------------|-----------|---------|--------------------|-----------|---------|
| SIZE | MAX. SPAN | SPACING | SIZE | MAX. SPAN | SPACING |
| 2 x 6 | 17 - 0 | 12" o/c | 2 x 6 | 16' 6" | 12" o/c |
| 2 x 6 | 16 - 0 | 16" o/c | 2 x 6 | 14' 0" | 16" o/c |
| 2 x 6 | 15 - 0 | 24" o/c | 2 x 6 | 11' 6" | 24" o/c |
| 2 x 4 | 12 - 0 | 12" o/c | 2 x 4 | 9' 6" | 12" o/c |
| 2 x 4 | 11 - 0 | 16" o/c | 2 x 4 | 8' 6" | 16" o/c |
| 2 x 4 | 10 - 0 | 24" o/c | 2 x 4 | 7' 0" | 24" o/c |

Pitch shall be 4 in 12 to permit installation of shingles.

Min. Requirement all lumber construction grade or E Star redwood

| Beam Size | | Maximum Spans for Sheathing | |
|-----------|-------------|-----------------------------|-------------|
| SIZE | SPAN | SPAN | TYPE |
| 4 x 4 | 0' - 4' | 3' - 0" | 1" sq. edge |
| 4 x 6 | 4' - 8' | 4' - 0" | 1" T & G |
| 4 x 8 | 8' - 11'6" | 7' - 0" | 2" sq. edge |
| 4 x 10 | 11'6" - 13' | 9' - 0" | 2" T & G |
| 4 x 12 | 13' - 15' | | |

These spans may be increased by using select structural lumber.



JOB ADDRESS _____ LOT _____ TRACT _____
OWNER'S NAME _____